

KONICA KE-3204/3208

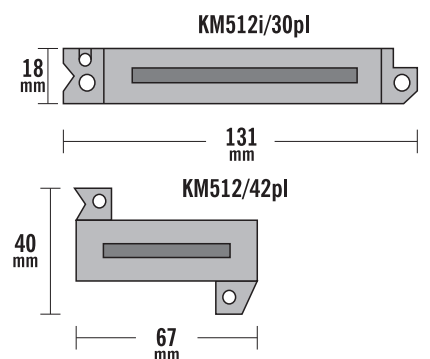
3.2米高速喷绘机 产量之选

126" HIGH SPEED SOLVENT PRINTER



超高速 高精度 8头两PASS可达240平方米每小时

- KM-512i has 512 nozzles. Firing frequency is increased by more than 4 times. Within every second, each printhead can print 30000 ink drop.
KM512喷头拥有512个喷嘴，点火频率增加了4倍以上。每秒钟内，每只喷头能打印30000个墨点。
- For each pass, the print width has doubled. (KM-512i/30pl is twice as wide as KM-512/42pl)
每PASS的打印宽度是KM512/42PL的两倍。
- 30pl ink drop size improves the visual impact in a closer distance.
30皮升的墨滴大小显著增强了画面的近距离效果。



尽选知名品牌配件，恒久稳定

Parts of Well-Known Brands

蒙泰软件

Maintop Rip Software

雷赛高功率电机

High Power Leadshine

日本NSK轴承

Japanese NSK Towline

意大利麦高迪加宽皮带

Italian MEGADYNE Belt

SPECIFICATIONS 规格

Model No. 型号		KE-3208	KE-3204
Printhead 喷头		8 x KM-512iLNB-30PL	4 x KM-512iLNB-30PL
Resolution (dpi) 精度		720 dpi max	
Ink Color 色彩		C M Y K	
Media 耗材	Size 尺寸	3.2 meter	
	Types 种类	Flex Banner, Vinyl, Mesh, Banner Cloth, Reflective Film etc... 灯箱布, 车贴, 网格布, 条幅布, 反光膜 等	
Speed 速度	2 Pass	240 sqm/h	120 sqm/h
	3 Pass	160 sqm/h	80 sqm/h
	4 Pass	120 sqm/h	50 sqm/h
Ink Type 墨水		Solvent Ink 溶剂墨水	
Ink Capacity 墨瓶		5 liter 5升	
Cleaning 清洗		Automatic Cleaning, Anti-Clogging Flash Function & Capping System 自动清洗、闪喷、封喷头	
Feed & take up 收放布		Automatic Media Feeding & Take up System 自动收放布, 标配放步电机	
Environment 环境		Temperature:20-28C ,Humidity:40%-60%	
Rip Software 软件		Maintop (Standard) / Photoprint (Optional)	
Interface 接口		USB 3.0	
Power 电源		Machine 50/60HZ, 110 / 220V, 2000W	
Size 尺寸 机器/包装	Machine	L4840xW1120xH1490mm	650KG
	Packing	L4800xW1040xH1600mm	800KG

以上参数可能随机器版本改变，请以厂家最新数据为准。Specifications are subject to change without notice.

儒彩打印设备（上海）有限公司

地址: 上海市奉贤区沪杭公路1588号
电话: 021-57436521
邮箱: sales@sinocolor dg.com
网站: www.irucai.com

SinoColor Co., Ltd.

Add: No. 1588, Huhang Road, Fengxian District, Shanghai
Tel: 0086-21-57436521
Email: sales@sinocolor dg.com
Web: www.sinocolor dg.com